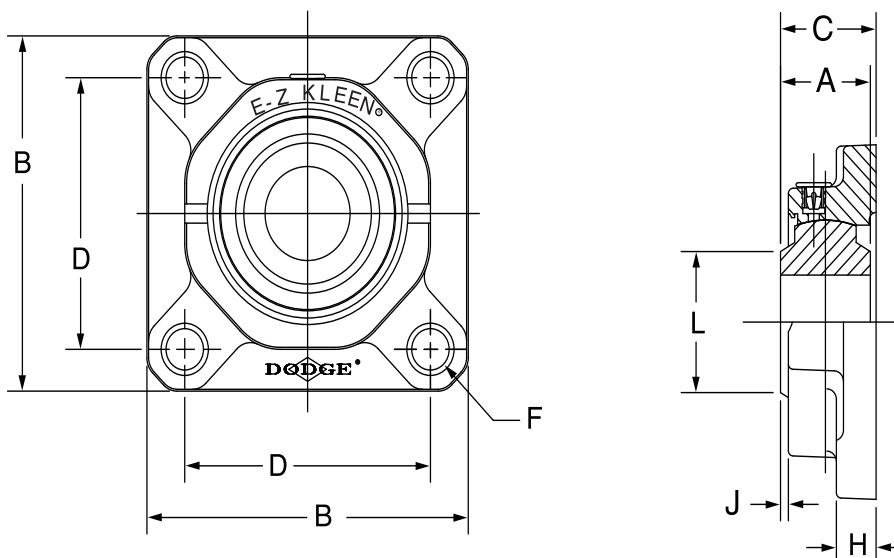


SELECTION/DIMENSIONS



E-Z KLEEN Mounted Bearings

PSEZ POLYMER SLEEVE POLYMER HOUSED 4-BOLT FLANGE BEARINGS



Series	Shaft Size	Part No.	Description
204	3/4	034716	F4B-PSEZ-012-P
	20mm	034759	F4B-PSEZ-20M-P
205	1	034717	F4B-PSEZ-100-P
	25mm	034760	F4B-PSEZ-25M-P
206	1-3/16	034718	F4B-PSEZ-103-P
	1-1/4	034719	F4B-PSEZ-104S-P
	30mm	034761	F4B-PSEZ-30M-P
207	1-1/4	034720	F4B-PSEZ-104-P
	1-7/16	034721	F4B-PSEZ-107-P
	35mm	034762	F4B-PSEZ-35M-P
208	1-1/2	034722	F4B-PSEZ-108-P
	40mm	034763	F4B-PSEZ-40M-P
210	1-15/16	034725	F4B-PSEZ-115-P
	50mm	034765	F4B-PSEZ-50M-P

Series	Shaft Size	Weight lbs kg	A	B	C	D	F Bolt Dia	H	J	L
204	3/4	0.48	1	3-3/8	1-7/32	2-1/2	3/8	17/32	5/64	1-5/16
	20mm	0.22	25.4	85.9	31.1	63.5	M10	13.5	1.9	33.3
205	1	0.55	1-1/16	3-3/4	1-17/64	2-3/4	3/8	35/64	1/8	1-7/16
	25mm	0.25	27	95.3	32.3	70.0	M10	13.9	2.6	36.5
206	1-3/16	0.89	1-3/16	4-1/4	1-3/8	3-1/4	3/8	39/64	7/64	1-11/16
	1-1/4	0.88	30.2	108.0	34.9	82.5	M10	15.5	2.6	42.9
	30mm	0.40	30.2	108.0	34.9	82.5	M10	15.5	2.6	42.9
207	1-1/4	0.97	1-5/16	4-21/32	1-29/64	3-5/8	1/2	5/8	9/64	2.0
	1-7/16	0.92	33.3	118.1	37.0	92.0	M12	15.9	3.7	50.8
	35mm	0.44	33.3	118.1	37.0	92.0	M12	15.9	3.7	50.8
208	1-1/2	1.23	1-1/2	5-1/8	1-21/32	4.0	1/2	43/64	1/4	2.0
	40mm	0.56	38.1	130.0	42.2	101.5	M12	16.9	4.6	50.8
210	1-15/16	1.35	1-5/8	5-5/8	1-55/64	4-3/8	5/8	49/64	1/4	2-9/16
	50mm	0.61	41.3	142.7	47.3	111.0	M16	19.3	6.4	65.1

FEATURES/BENEFITS PAGE B2-3	HOW TO ORDER/NOMENCLATURE PAGE B2-8	SELECTION/DIMENSIONS PAGE B2-24	ACCESSORIES PAGE B2-77
--------------------------------	--	------------------------------------	---------------------------